



## Product information

"For Seasons" – three chopping boards and a trivet

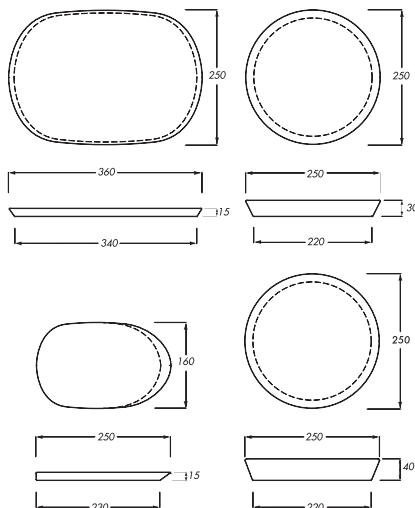


<b>Production:</b>	Switzerland		
<b>Material:</b>	Spring: solid maple; Summer: solid cherry; Autumn: solid pear; Winter: agglomerated cork		
<b>Delivery Time:</b>	14 days		
<b>Selling price:</b>	<b>Spring</b>	<b>68,- CHF</b>	<b>/ 58,- Euro*</b>
	<b>Summer</b>	<b>72,- CHF</b>	<b>/ 60,- Euro*</b>
	<b>Autumn</b>	<b>58,- CHF</b>	<b>/ 48,- Euro*</b>
	<b>Winter</b>	<b>98,- CHF</b>	<b>/ 82,- Euro*</b>
	<b>Complete set</b>	<b>240,- CHF</b>	<b>/ 200,- Euro*</b>

\*Prices are subject to change without notice.



in mm



Designer: Anna Blattert

©2012 Postfossil

"for seasons" is a set of three high quality chopping boards and a trivet. There is an item for each season. Material and format have been chosen appropriately to what is getting cut in the according time of the year. On the backside of each board there is an engraved list of all vegetables and fruits that are seasonal in this time of the year. Of course all boards can be used in any time, but be aware that there is one specific season for every vegetable and every fruit.

[anna@postfossil.ch](mailto:anna@postfossil.ch)

[www.postfossil.ch](http://www.postfossil.ch)